

Advantages

1+1 switching logic and drivers internal to the IBUCs - no external logic controller required.

User-selectable thresholds for alarm and switch conditions.

Cloning function means user sets up primary BUC as desired and merely sends command for secondary unit to clone its settings.

LEDs provide quick visual indication of BUC condition.

Web browser interface with embedded web pages for easy setup, monitor, and control.

Compact, integrated mounting package

Access via:

- FSK through TX IFL cable
- TCP/IP with embedded web page
- RS232/485 serial ports
- Handheld terminal



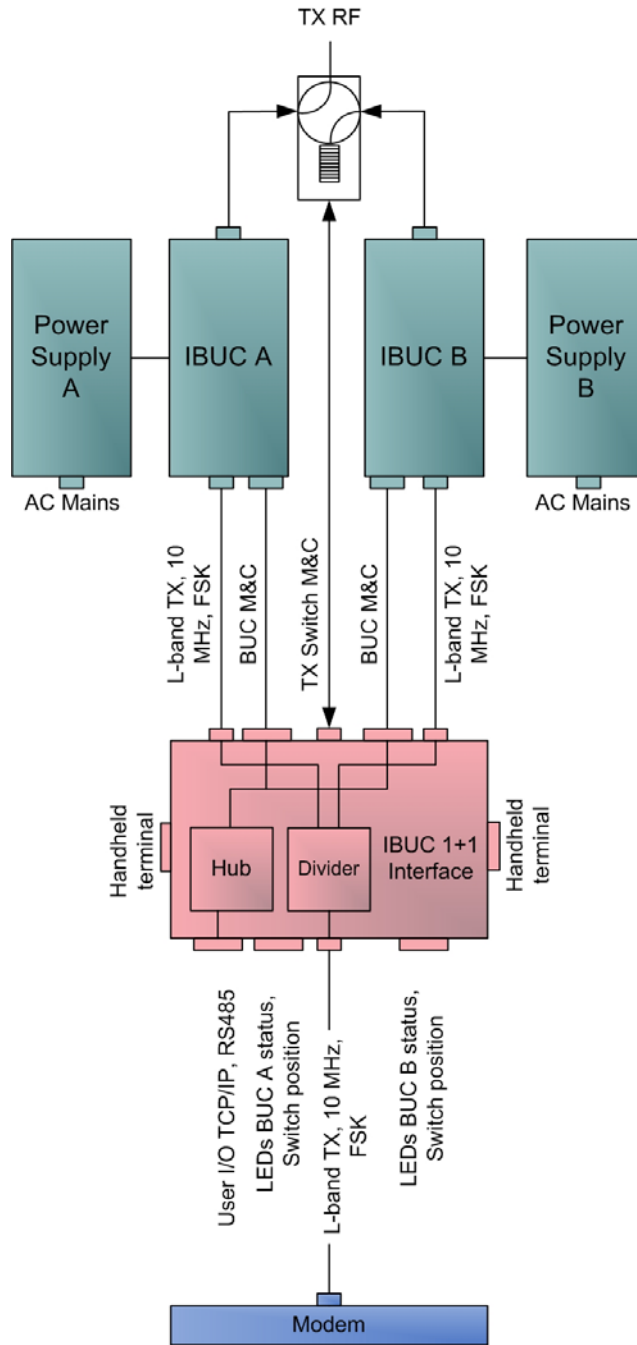
The integration of 1+1 protection was a key design goal in Terrasat's IBUC Intelligent Block Upconverters development. The IBUC redefines 1+1 protection switching. Instead of using a separate switching logic unit with its expense and complexity, Terrasat incorporated the switching logic and drivers into the IBUC itself.

Protected units monitor each other's diagnostics and, through a simple switching junction box, make the decision to switch according to criteria that the customer selects. The IBUC cloning feature enables uncomplicated 1+1 setup. Terrasat's 1+1 solution is a complete package with an available dual-IBUC mounting bracket for convenient installation.

A 1+1 junction box mounts on the 1+1 mounting plate. Practically a passive unit, the junction box manages the functions of dividing the IF signal and routing signals through a TCP/IP hub. It supports interface connectors and includes a bank of LEDs for visual indication of alarm conditions. The user interface is via the IFL cable, handheld terminal (one for each BUC), RS485, or TCP/IP.



IBUC 1+1 Block Diagram



235 Vineyard Court, Morgan Hill, CA

Tel. +1 408.782.5911, Ext. 103

Fax: +1 408.782.5912

www.terrasatinc.com